

Housekeeping / Room attendant trolleys

Tauro 1200/1

Essential efficiency



Standard equipment

- 1 garbage bag holder with lid and 1 raising base with integrated corner pads
- 6 drawers 400 x 300 mm
- 4 compartments for stationery on the topcover
- 4 polyamide swiveling wheels Ø160 mm and 5th steering wheel
- 1 horizontal handle
- Mop holder and ceiling mop holder
- Available in motorised version

TAURO 1200/1

Finishes

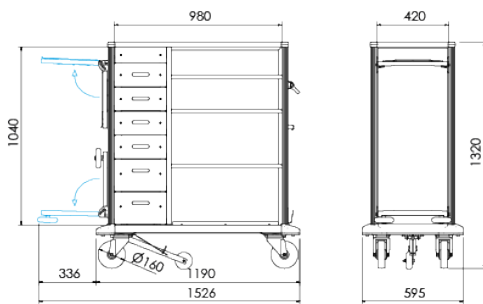
Compact finishes



Wenge oak look

Ref xx = 11

Dimensions



TAURO 1200/1

Overall dimensions

Width	Depth	Height	Wheels Ø
1190 mm	595 mm	1320 mm	160 mm

Inside dimensions

Width	Depth
980 mm	420 mm